

2

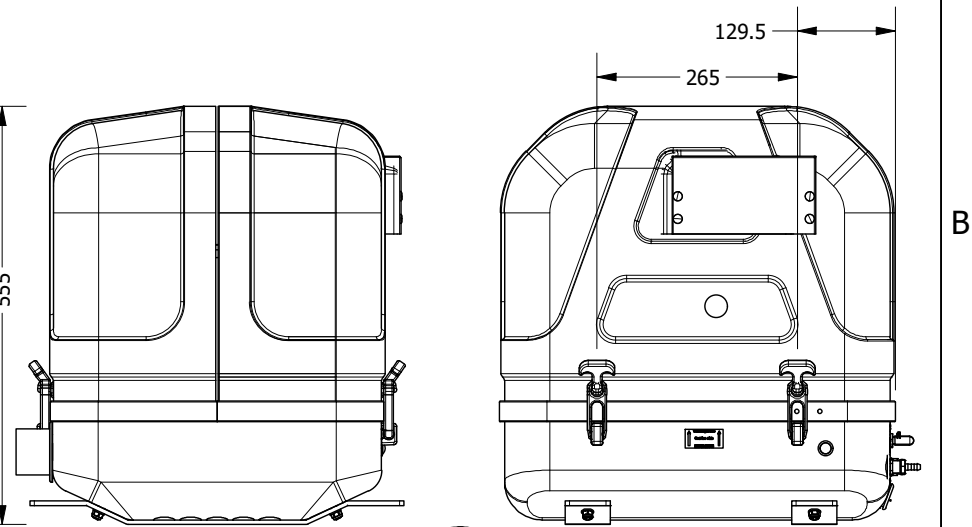
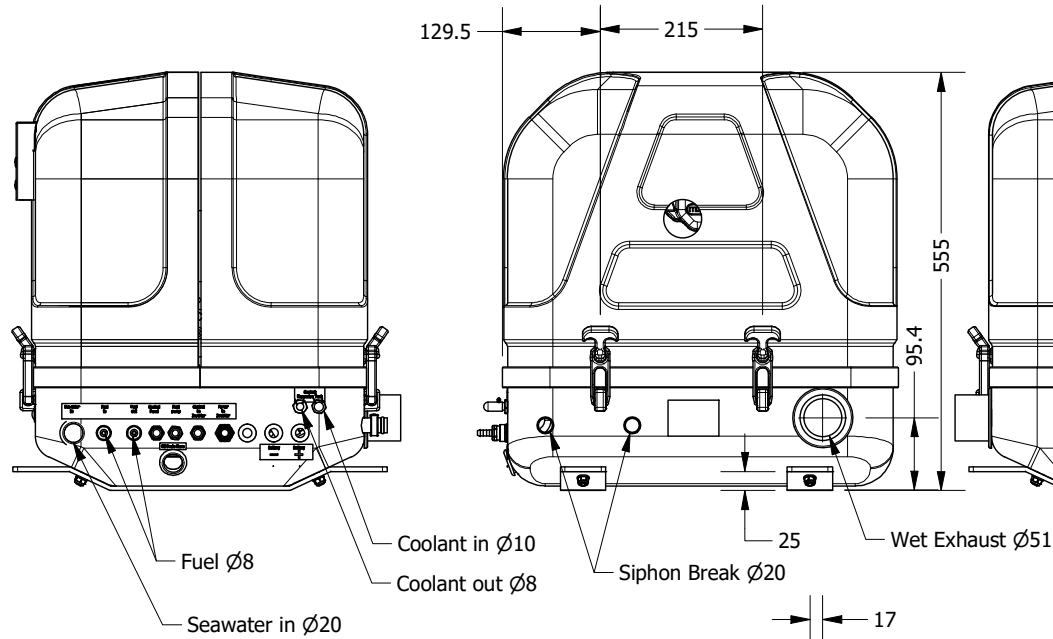


1

## REVISION HISTORY

VERSION	DESCRIPTION	DATE	APPROVED
1	Released	4/28/2023	K. Riebel

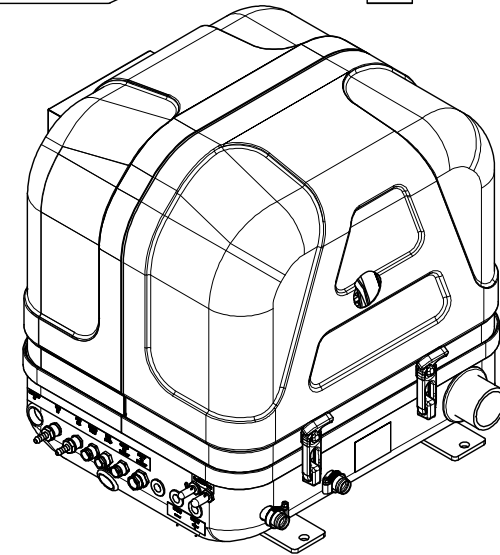
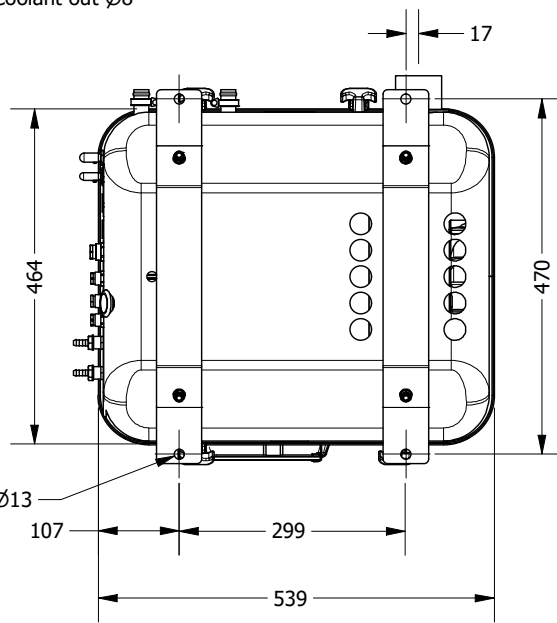
B



B



A



A

NOTE

2



1



FischerPanda®

351 S. Andrews Avenue  
Pompano Beach, Florida 33062  
Phone: (954) 462-2800  
Fax: (954) 462-2801  
Wats: (800) 508-6494

Description  
Drawing - AGT6.0, Installation, Capsule only

All Dimensions are  
Millimeters  
Standard Tolerances  
Unless Otherwise Noted:  
Linear  
±0.3 mm  
Angle  
± 1°

Part Number	Version	Date Drawn	Drawn By	Sheet
B00807	01	4/26/2023	S.Power	1 of 1

