



The New Panda 4 DC RV Generator



Introducing the **Panda 4 DC RV Generator** – your dependable **diesel** alternative to traditional AC generators. This cutting-edge RV generator features a highly efficient DC charging system onboard, providing seamless power to your adventures.

Unlike conventional generators, the **Panda 4 DC** charges your onboard battery bank as needed, eliminating the need for continuous operation. With power supplied indirectly through onboard inverters, you'll experience efficient and rapid battery charging while consuming less fuel, producing minimal noise, and requiring minimal maintenance.

Experience seamless power with the **Panda 4 DC RV Generator** – where efficiency meets reliability, and adventure awaits. Plus, with options for automatic generator start and various voltage configurations, it's the perfect companion for your RV journey. Whether you're exploring the open road or relaxing in a national park, rest assured that our generator meets all noise requirements and is California CARB compliant.

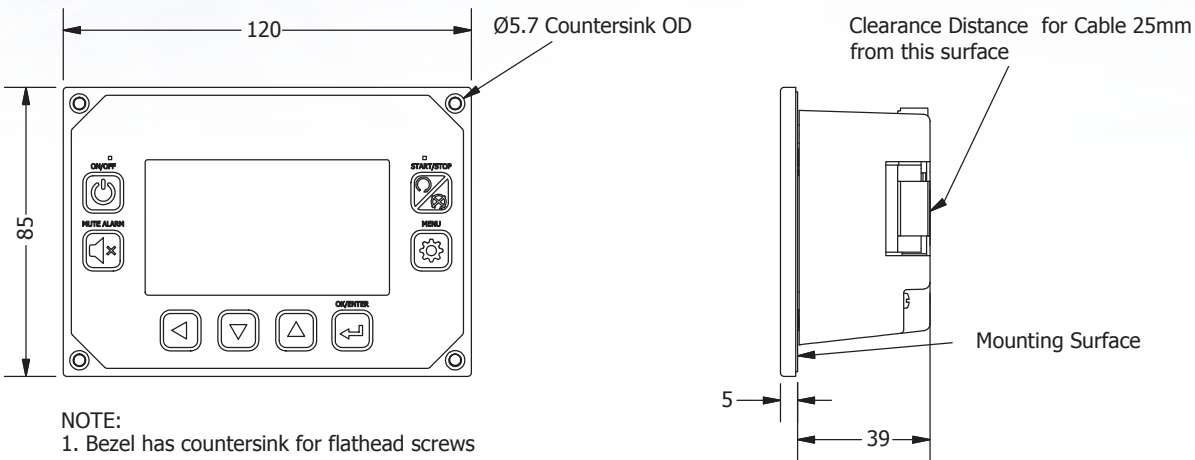
Here are the key features that set the Panda 4 DC apart:

- It's the first Panda 4kW RV **Diesel** Generator, setting new standards in reliability and performance.
- Equipped with a long-life Kubota water-cooled two-cylinder **diesel** engine and a direct-driven PMG Alternator, ensuring efficiency and durability.
- The hybrid system optimizes generator runtime, reducing fuel consumption and maintenance requirements.
- Compact, lightweight, and quiet, the Panda 4 DC is designed for hassle-free operation.
- Backed by a 5-Year limited warranty, providing peace of mind for your travels.

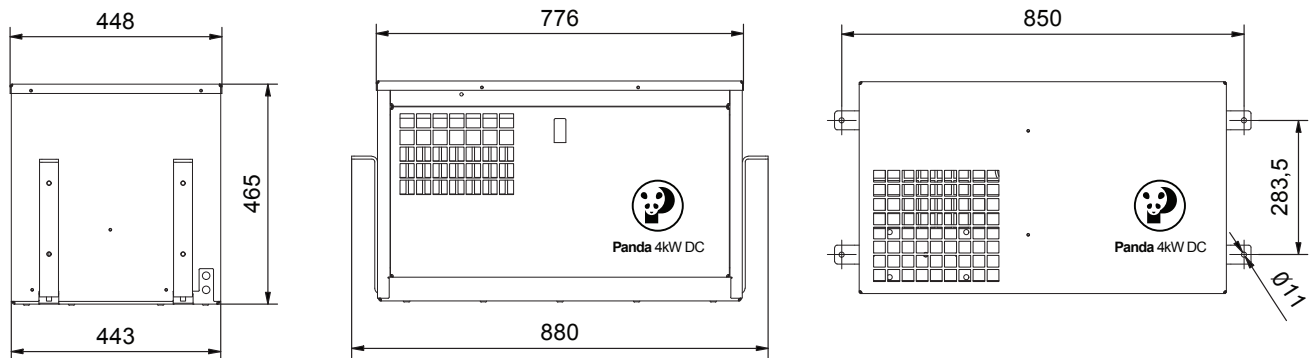
Panda 4 DC RV Generator Specifications

Output	4 kW
Voltage (V)	12/24/48
Engine Type	Kubota/Z482/Diesel
Cooling	Radiator Cooled
Dimensions	30" x 17.5" x 18"
Weight	270 lbs

CONTROL PANEL



4kW DC



351 S. Andrews Ave., Pompano Beach, FL 33069

Call (800) 508-6494

Visit us at www.fischerpanda.com

or e-mail us at
sales@fischerpanda.com

