

Gen. wiring using output box with 6 poles

Jumper settings			
1x120V		Neutral	Hot
2x120/ 1x240V		Hot	Neutral Hot

Rev.	Date	Name	Std.

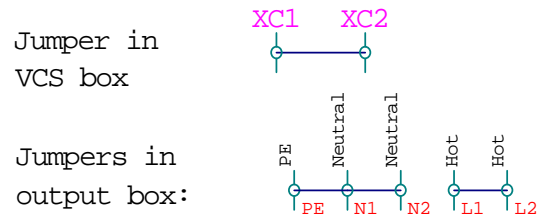
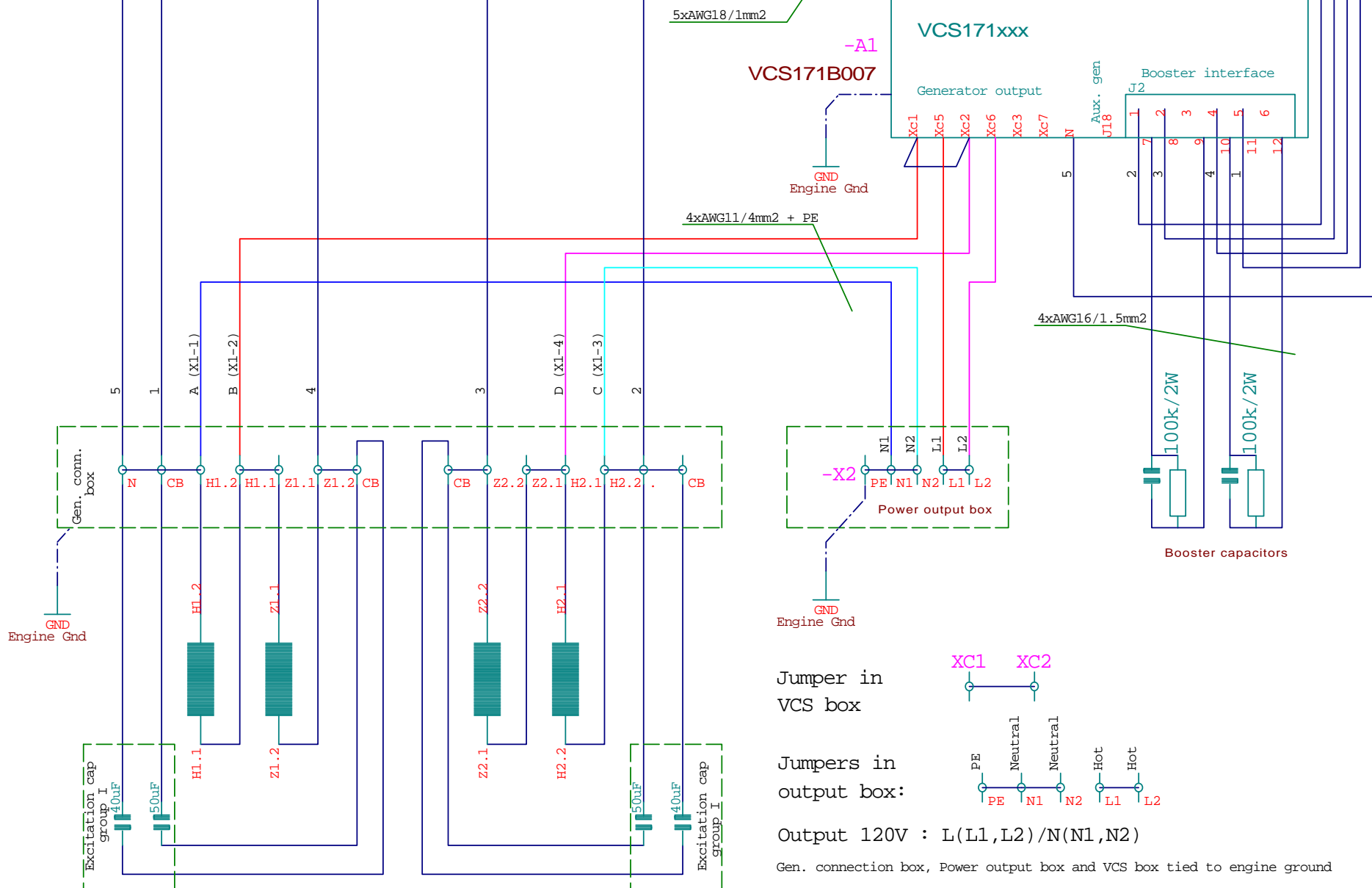
Date 20.02.2014

Fischer Panda Generators
www.fischerpanda.com

Fischer Panda

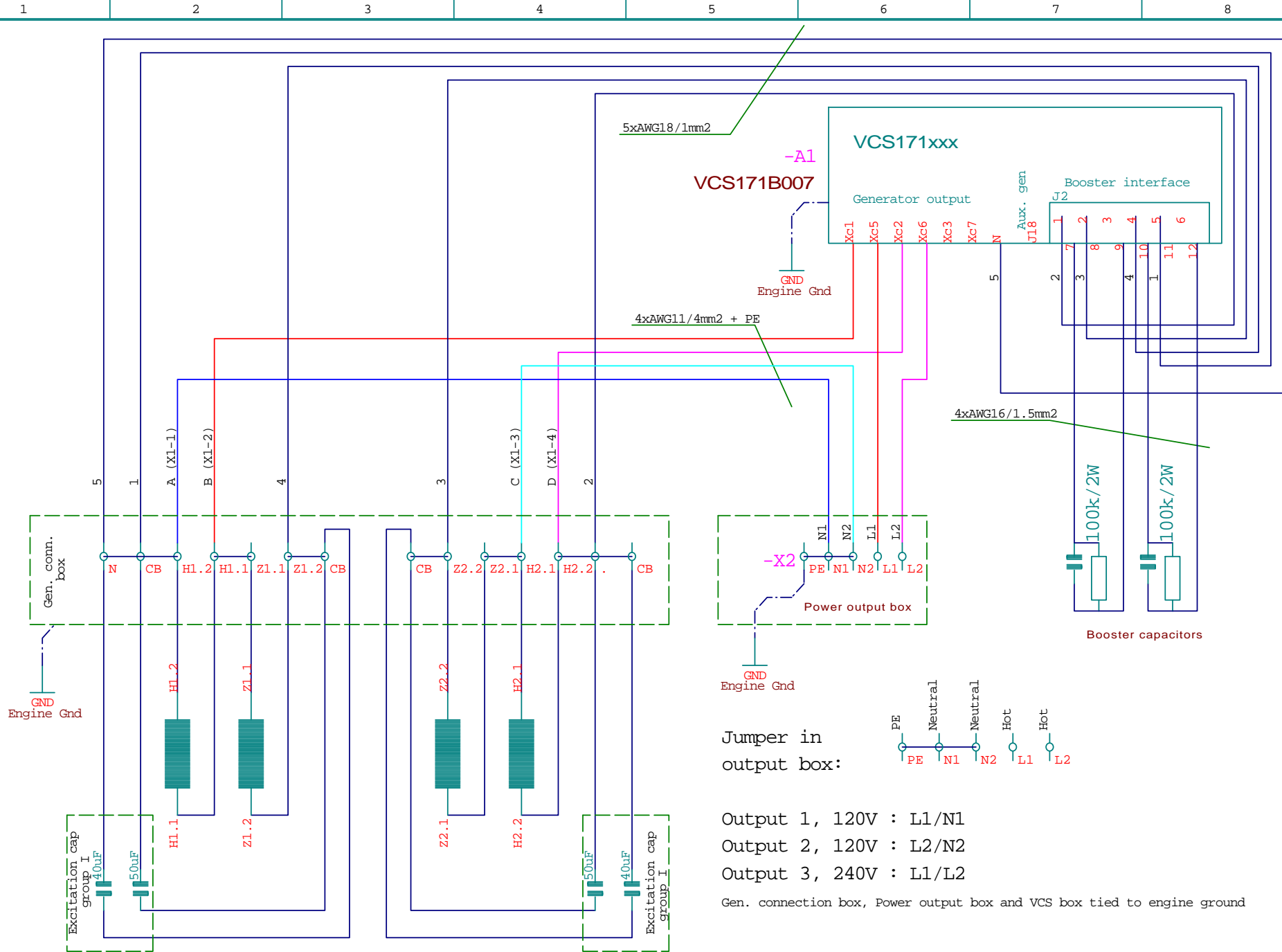
D0011
Rev 012

Page 1
of 7 p.



Output 120V : L(L1,L2)/N(N1,N2)
 Gen. connection box, Power output box and VCS box tied to engine ground

Generator wiring for output 120V



Generator wiring for output 120/240V

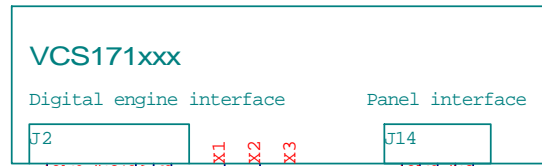
Date	20.02.2014
Rev.	
Date	
Name	
Std.	

Fischer Panda Generators
www.fischerpanda.com

Fischer Panda



-A1 VCS171B007



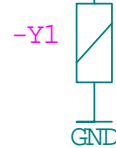
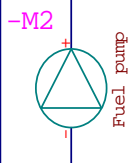
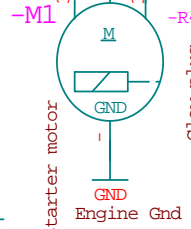
2xAWG18 /0.75mm²

D- → 6.1
D+ → 6.1
VCS-ON → 6.1
GND → 6.1
V+ → 6.1

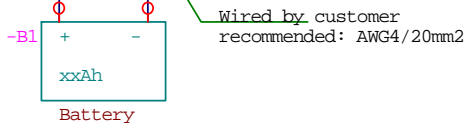
AWG13 /2.5mm²

AWG11 /4mm²

GND
Engine Gnd



Unspecified wires: AWG16/1.5mm²



Rev.	Date	Name	Std.

Date 20.02.2014

Fischer Panda Generators
www.fischerpanda.com

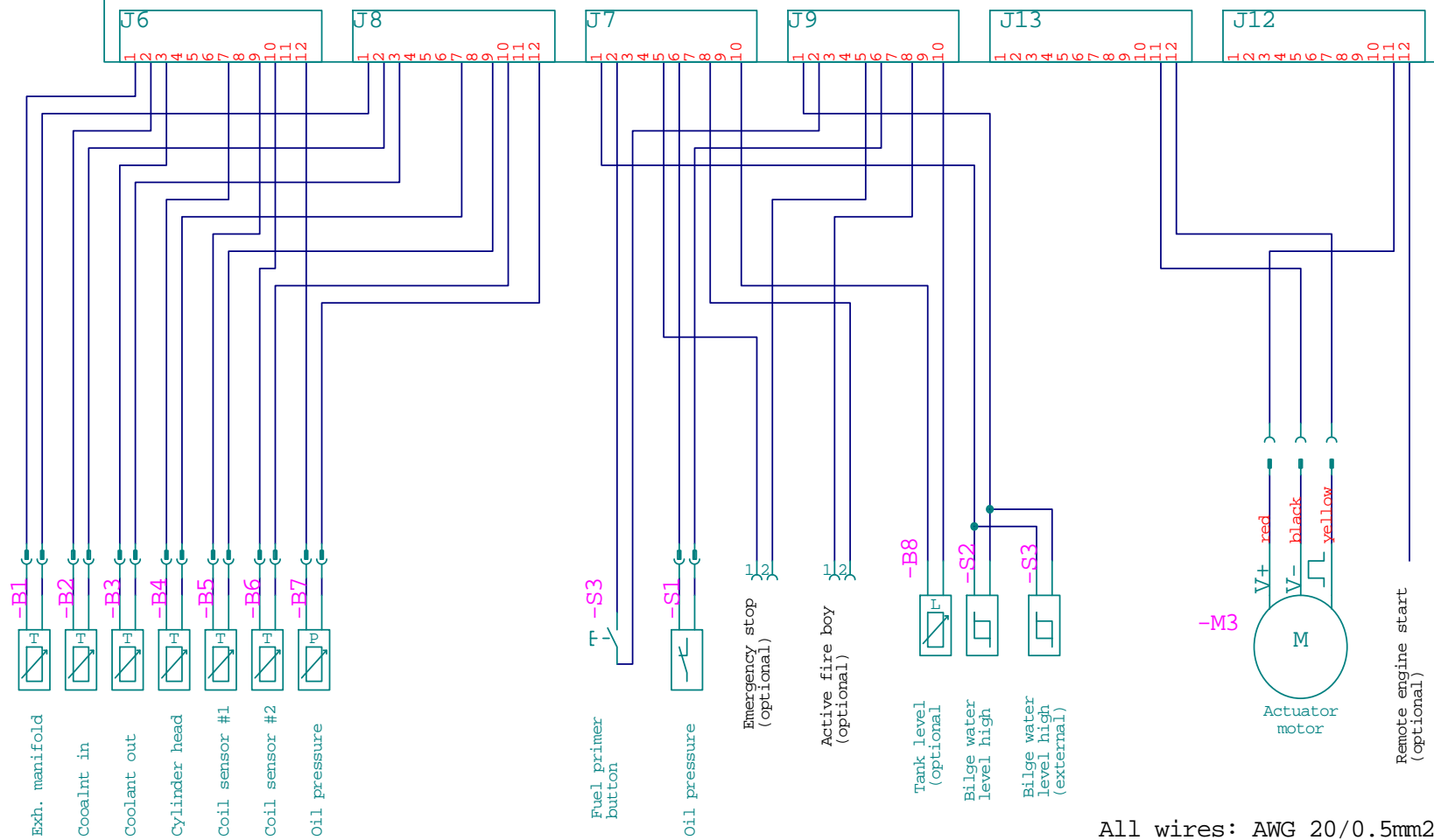
Fischer Panda



D0011
Rev 012

-A1 VCS171B007

VCS171xxx Auxiliary I/O



All wires: AWG 20/0.5mm2

Date 20.02.2014

Fischer Panda Generators
www.fischerpanda.com

Fischer Panda



D0011
Rev 012

-A2

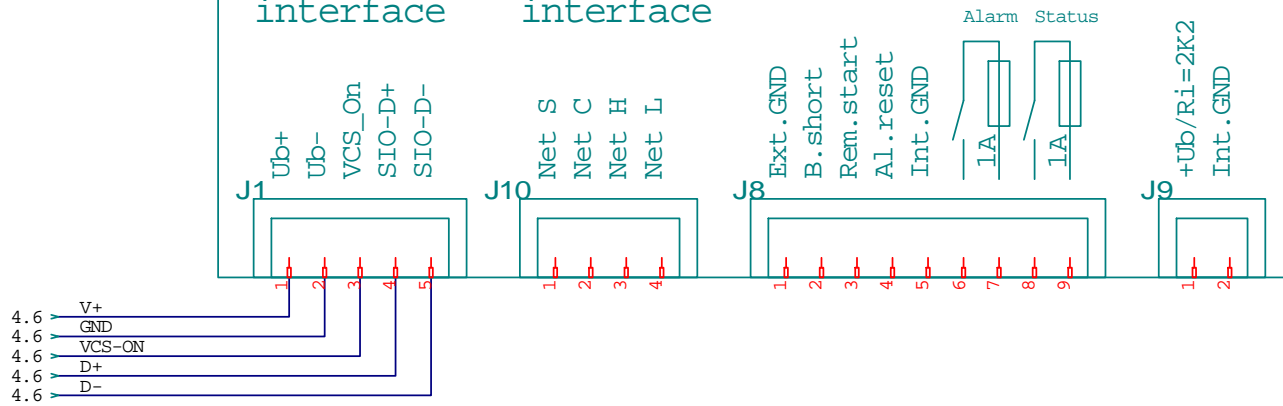
Graphic panel GP170C001

VCS
interface

NMEA 2000
interface

Digital IO

PWR



Date 20.02.2014

Fischer Panda Generators
www.fischerpanda.com

Fischer Panda



D0011
Rev 012

=
+

Design revision history

Date	Description	Revision	Name
11/26/2012	PE wiring generator to terminal modified, cables reorganized	002	Paul Muell
12/03/2012	Battery charger removed	003	Paul Muell
12/04/2012	Wire gauges modified, signal interfacing modified	004	Paul Muell
12/05/2012	Wire gauges modified	005	Paul Muell
01/09/2013	Wiring booster capacitors changed	006	Paul Muell
03/08/2013	Wire colors (sensing leads & booster) added	007	Paul Muell
03/21/2013	Optional wiring added/modified; Main output modified	008	Paul Muell
05/20/2013	Tank and water sensor added; Gen. connection modified	009	Paul Muell
10/05/2013	Fire boy input modified to switch positive	010	Paul Muell
01/09/2014	Assigned terminal numbers for fire boy and em. stop.	011	Paul Muell
02/18/2014	Pages 1,2 and 3 show wiring for different applications Positive output for fire boy adapted to VCS171B007UC Booster wiring modified for VCS171B006AC	012	Paul Muell