

Gen. wiring using output box with 6 poles

Jumper settings			
1x120V		Neutral	Hot
2x120/ 1x240V		Hot	Neutral Hot

Rev.	Date	Name	Std.

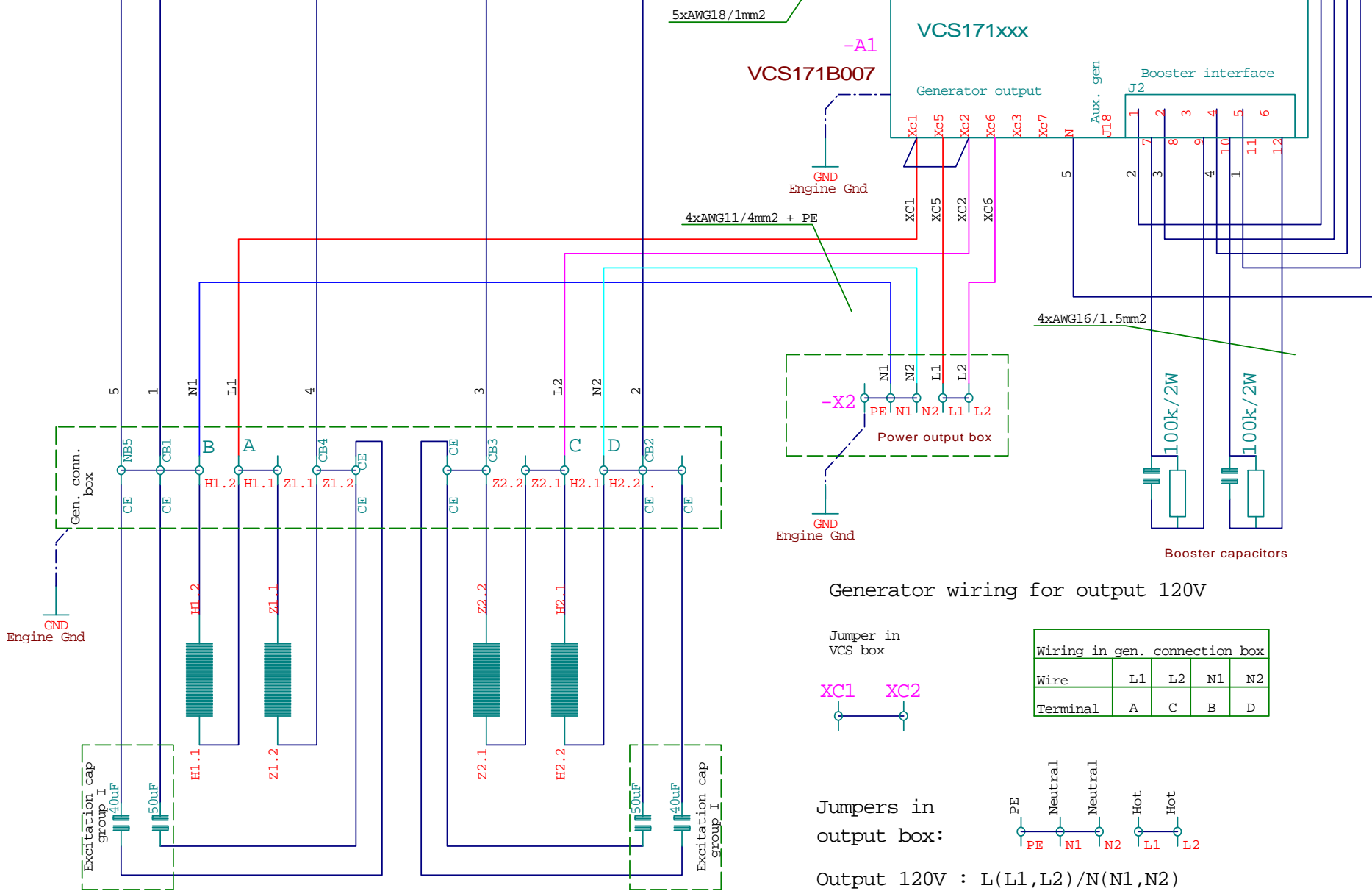
Date 14.05.2015

Fischer Panda Generators
www.fischerpanda.com

Fischer Panda

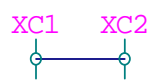
D0011 Rev.016

Page 1 of 9 p.



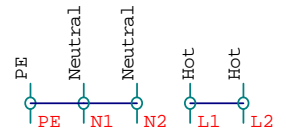
Generator wiring for output 120V

Jumper in VCS box



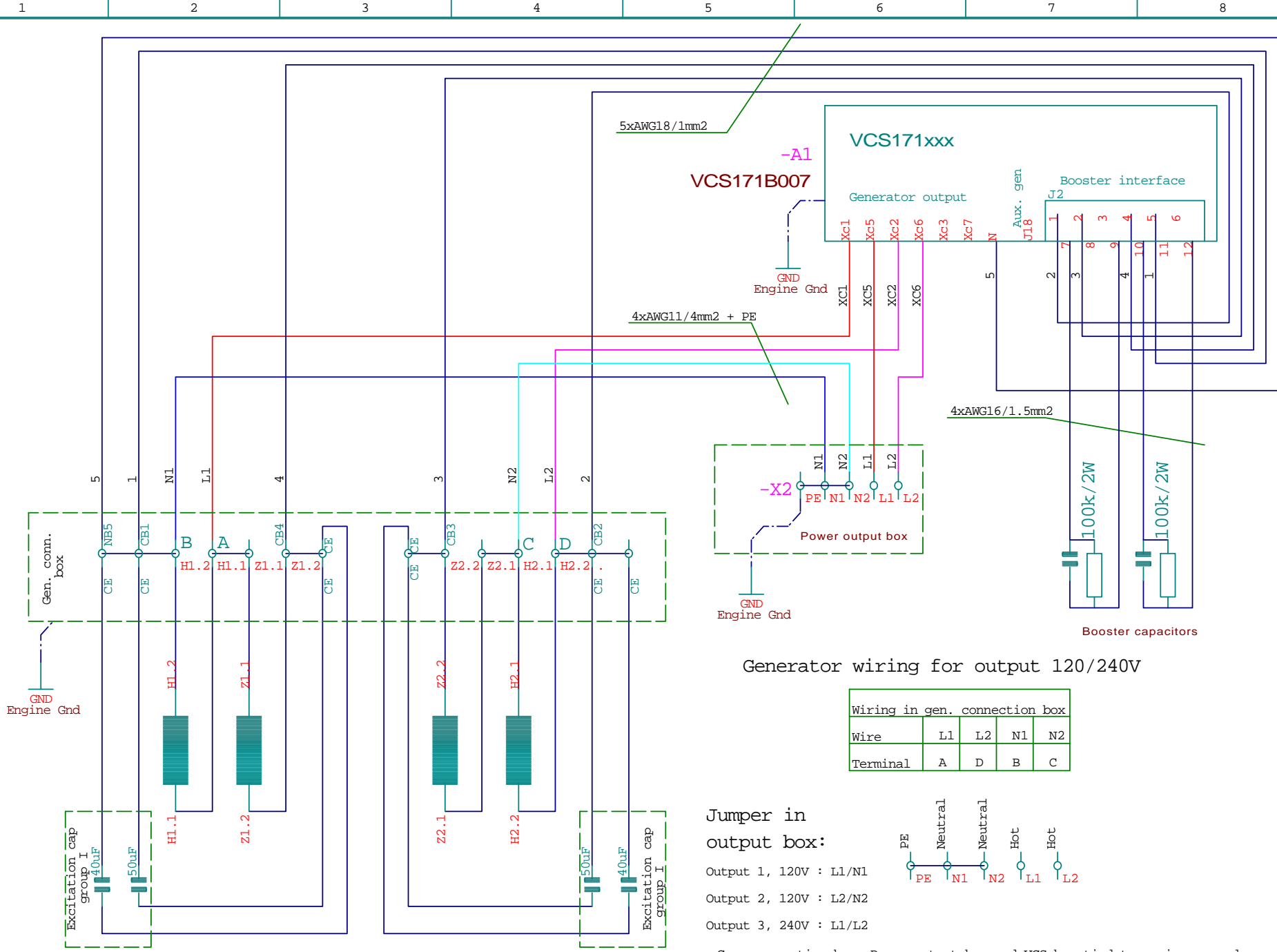
Wiring in gen. connection box				
Wire	L1	L2	N1	N2
Terminal	A	C	B	D

Jumpers in output box:



Output 120V : L(L1,L2)/N(N1,N2)

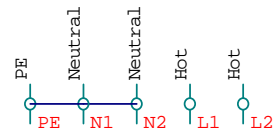
Gen. connection box, Power output box and VCS box tied to engine ground



Generator wiring for output 120/240V

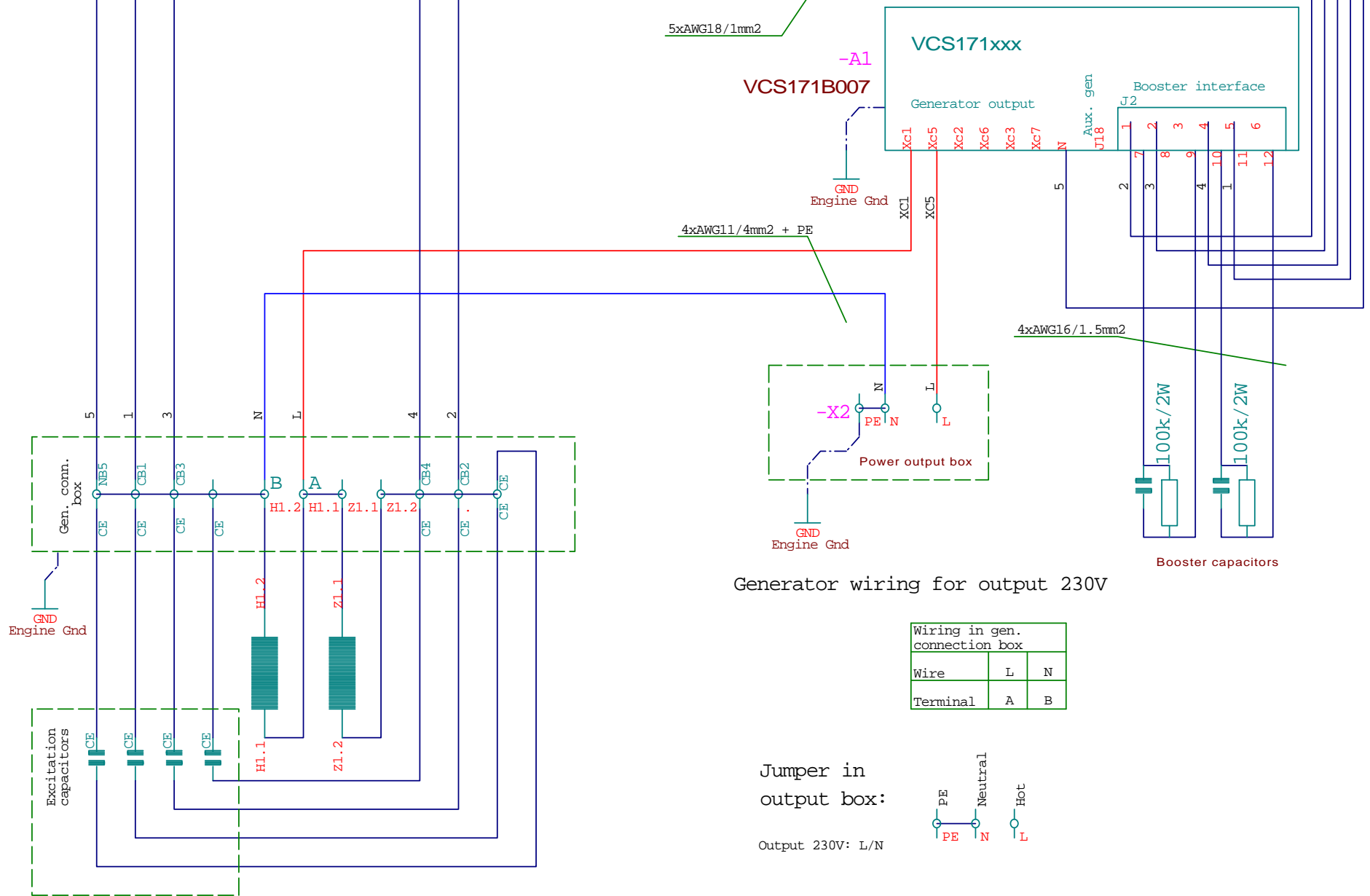
Wiring in gen. connection box				
Wire	L1	L2	N1	N2
Terminal	A	D	B	C

Jumper in output box:



- Output 1, 120V : L1/N1
- Output 2, 120V : L2/N2
- Output 3, 240V : L1/L2

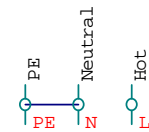
Gen. connection box, Power output box and VCS box tied to engine ground



Generator wiring for output 230V

Wiring in gen. connection box		
Wire	L	N
Terminal	A	B

Jumper in output box:



Output 230V: L/N

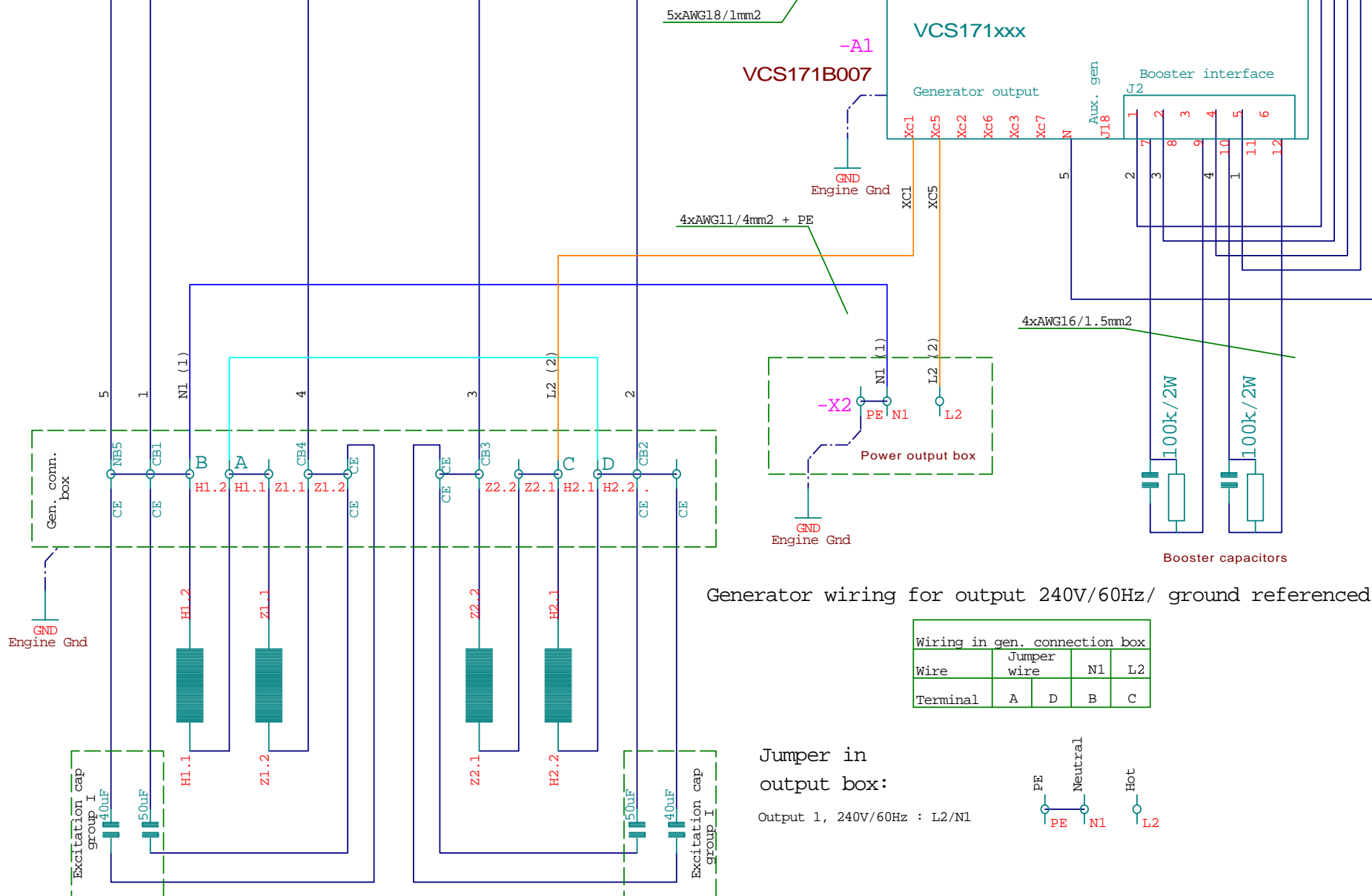
Gen. connection box, Power output box and VCS box tied to engine ground

Rev.	Date	Name	Std.

Date 14.05.2015
 Fischer Panda Generators
 www.fischerpanda.com



D0011
 Rev.016

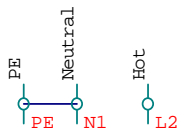


Generator wiring for output 240V/60Hz/ ground referenced

Wiring in gen. connection box				
Wire	Jumper wire	N1	L2	
Terminal	A	D	B	C

Jumper in output box:

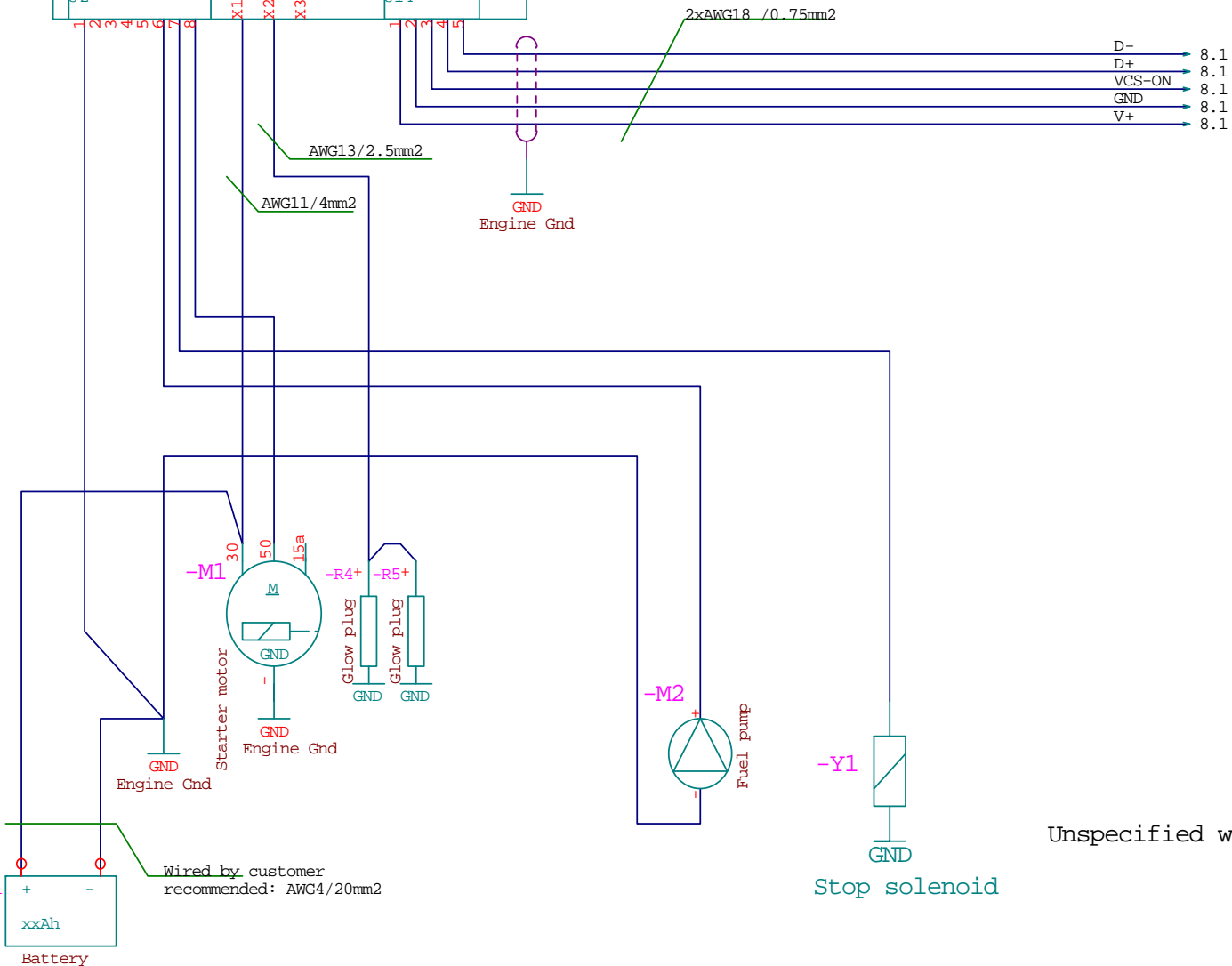
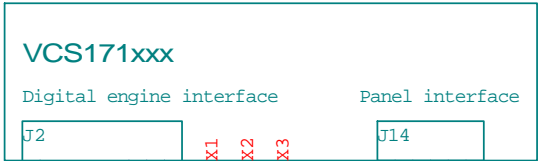
Output 1, 240V/60Hz : L2/N1



Gen. connection box, Power output box and VCS box tied to engine ground



-A1 VCS171B007



Unspecified wires: AWG16/1.5mm²

Rev.	Date	Name	Std.

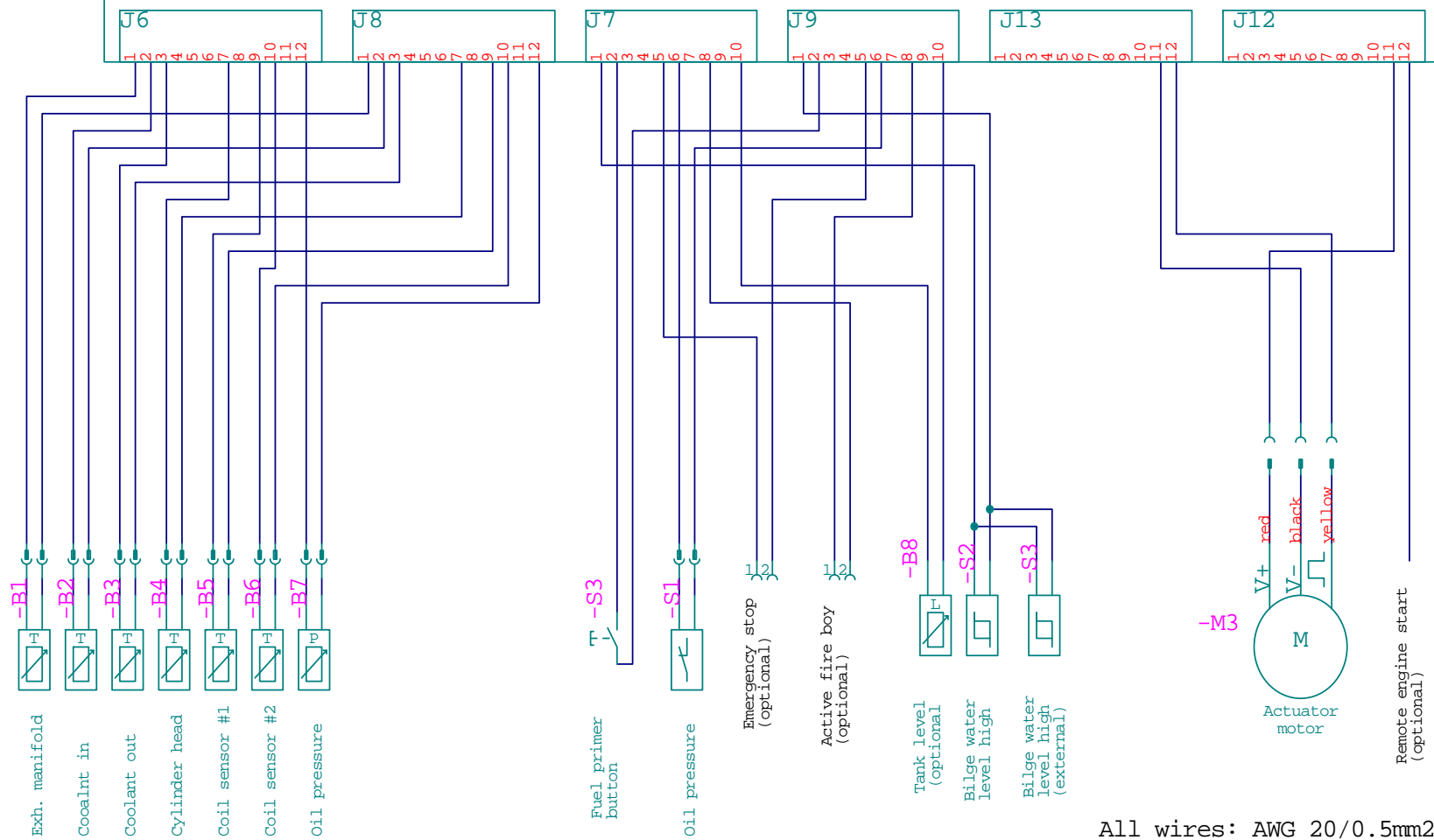
Date 14.05.2015
Fischer Panda Generators
www.fischerpanda.com



D0011 Rev.016	=
	+
Page 6 of 9 p.	

-A1 VCS171B007

VCS171xxx Auxiliary I/O



Rev.	Date	Name	Std.

Date 14.05.2015

Fischer Panda Generators
 www.fischerpanda.com



D0011
 Rev.016

-A2

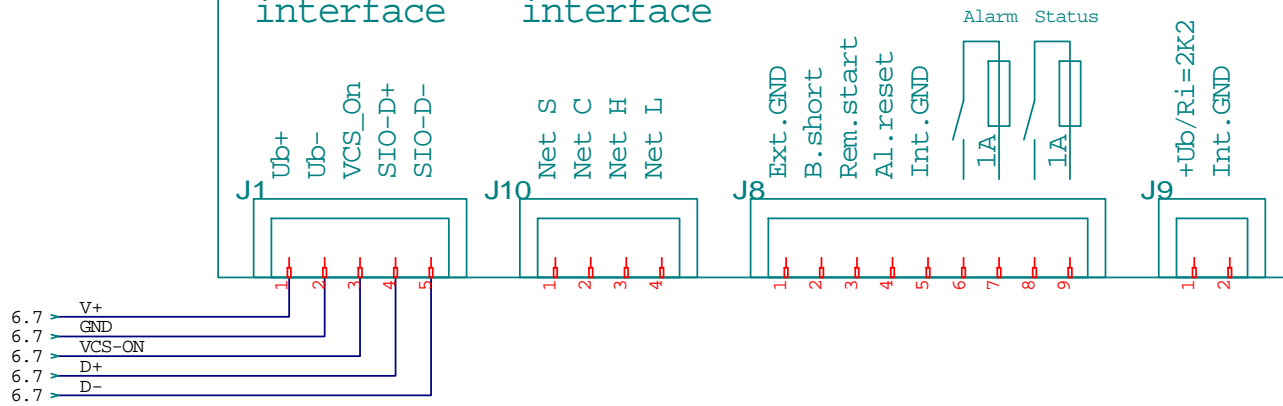
Graphic panel GP170C001

VCS
interface

NMEA 2000
interface

Digital IO

PWR



Design revision history

Date	Description	Revision	Name
11/26/2012	PE wiring generator to terminal modified, cables reorganized	002	Paul Muell
12/03/2012	Battery charger removed	003	Paul Muell
12/04/2012	Wire gauges modified, signal interfacing modified	004	Paul Muell
12/05/2012	Wire gauges modified	005	Paul Muell
01/09/2013	Wiring booster capacitors changed	006	Paul Muell
03/08/2013	Wire colors (sensing leads & booster) added	007	Paul Muell
03/21/2013	Optional wiring added/modified; Main output modified	008	Paul Muell
05/20/2013	Tank and water sensor added; Gen. connection modified	009	Paul Muell
10/05/2013	Fire boy input modified to switch positive	010	Paul Muell
01/09/2014	Assigned terminal numbers for fire boy and em. stop.	011	Paul Muell
02/18/2014	Pages 1,2 and 3 show wiring for different applications Positive output for fire boy adapted to VCS171B007UC Booster wiring modified for VCS171B006AC	012	Paul Muell
02/18/2014	Wiring of gen. connection box modified to be consistent through page 2 and 3. Wiring instructions added	013	Paul Muell
02/18/2014	Added page with 230V/50Hz (1 output) configuration Terminal labeling changed	014	Paul Muell
10/22/2014	Added page with 240V/60Hz (1 output) configuration	015	Paul Muell
05/14/2015	Corrected wiring on page 1 (wires #3 and #4 reversed)	016	Paul Muell