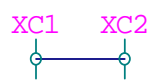


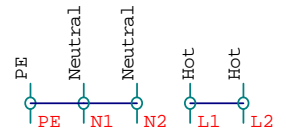
Generator wiring for output 120V

Jumper in VCS box



Wiring in gen. connection box				
Wire	L1	L2	N1	N2
Terminal	A	C	B	D

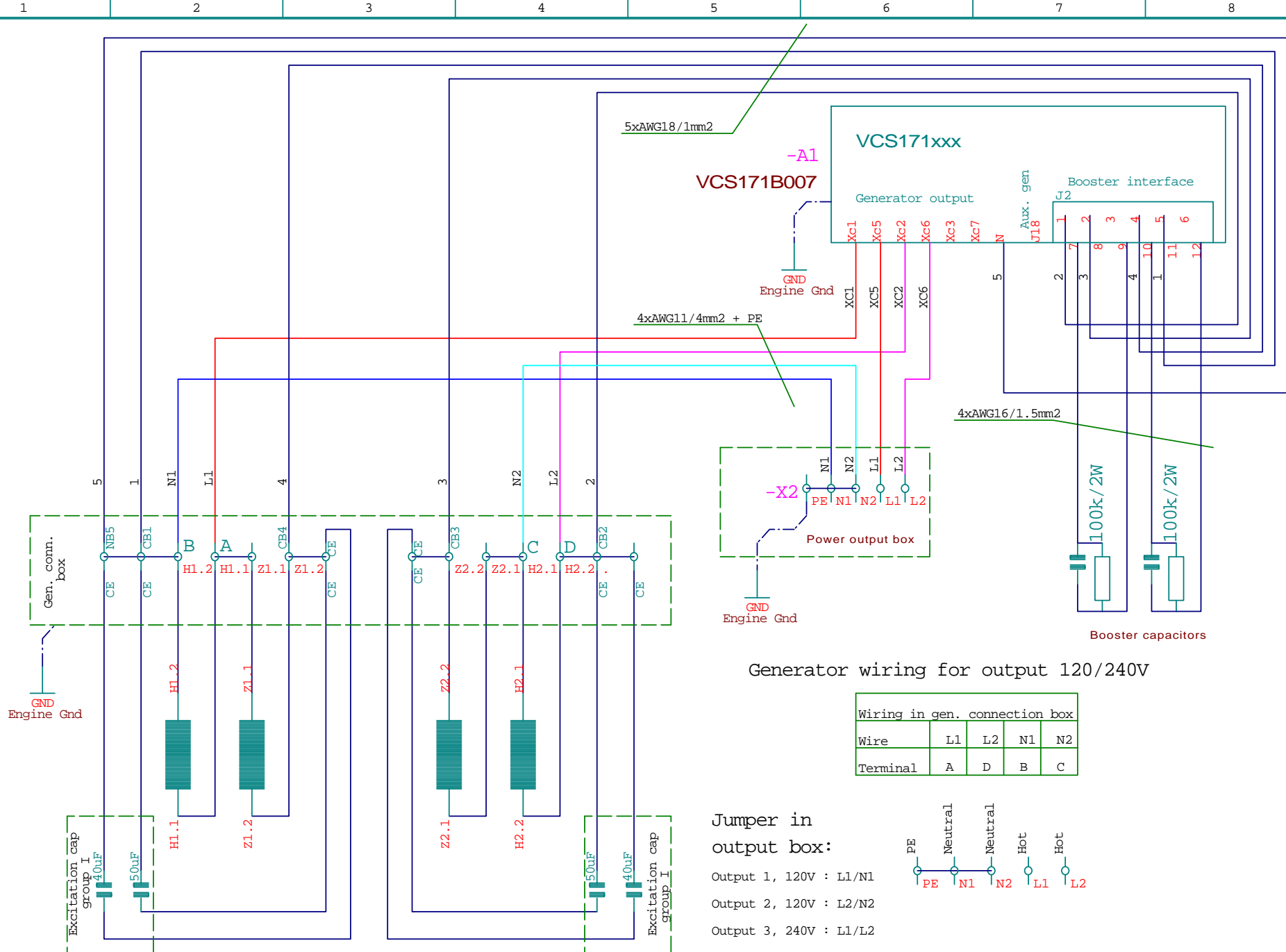
Jumpers in output box:



Output 120V : L(L1,L2)/N(N1,N2)

Gen. connection box, Power output box and VCS box tied to engine ground

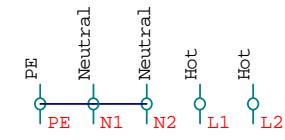




Generator wiring for output 120/240V

Wiring in gen. connection box				
Wire	L1	L2	N1	N2
Terminal	A	D	B	C

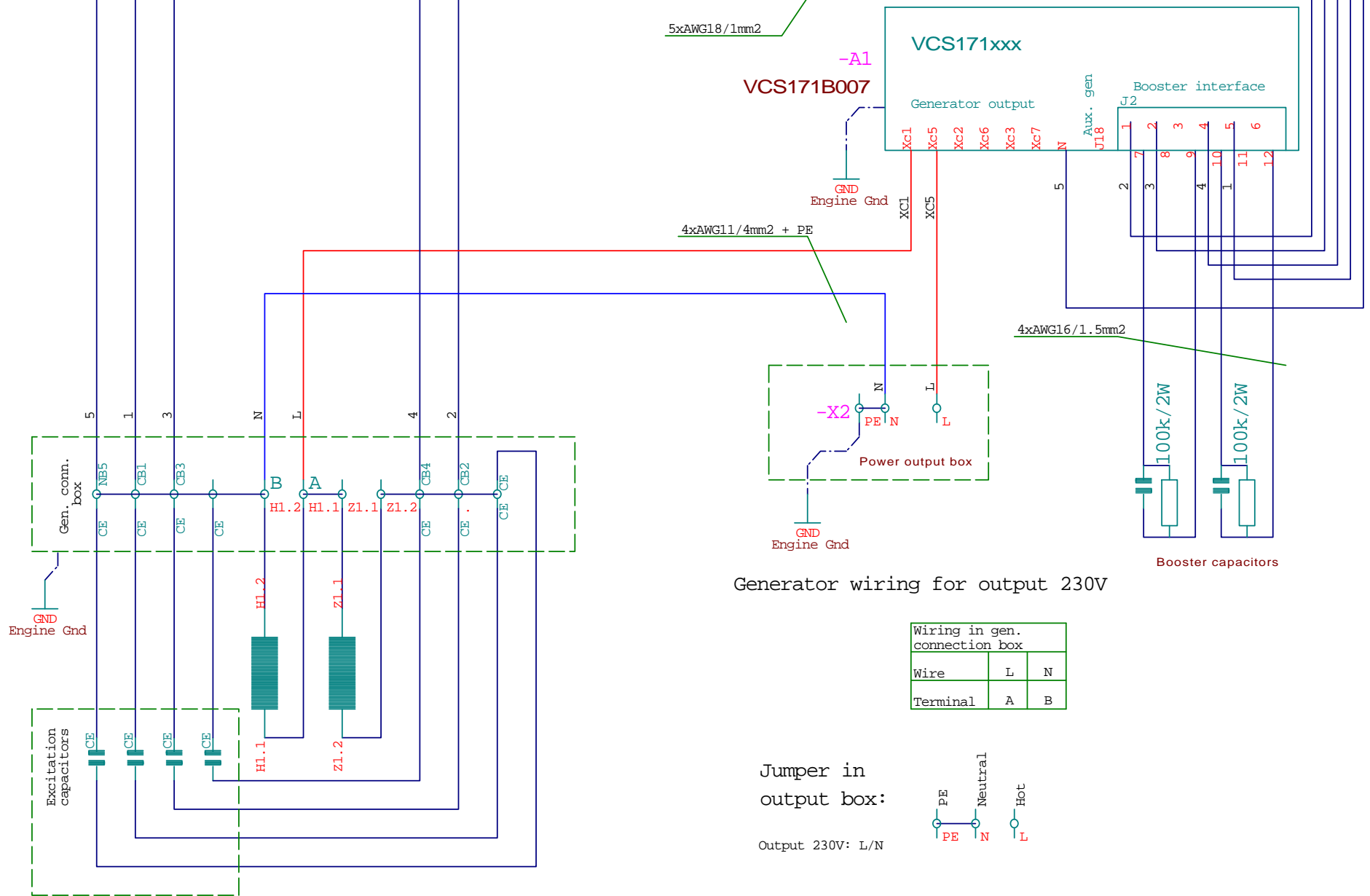
Jumper in output box:



- Output 1, 120V : L1/N1
- Output 2, 120V : L2/N2
- Output 3, 240V : L1/L2

Gen. connection box, Power output box and VCS box tied to engine ground

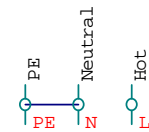




Generator wiring for output 230V

Wiring in gen. connection box		
Wire	L	N
Terminal	A	B

Jumper in output box:



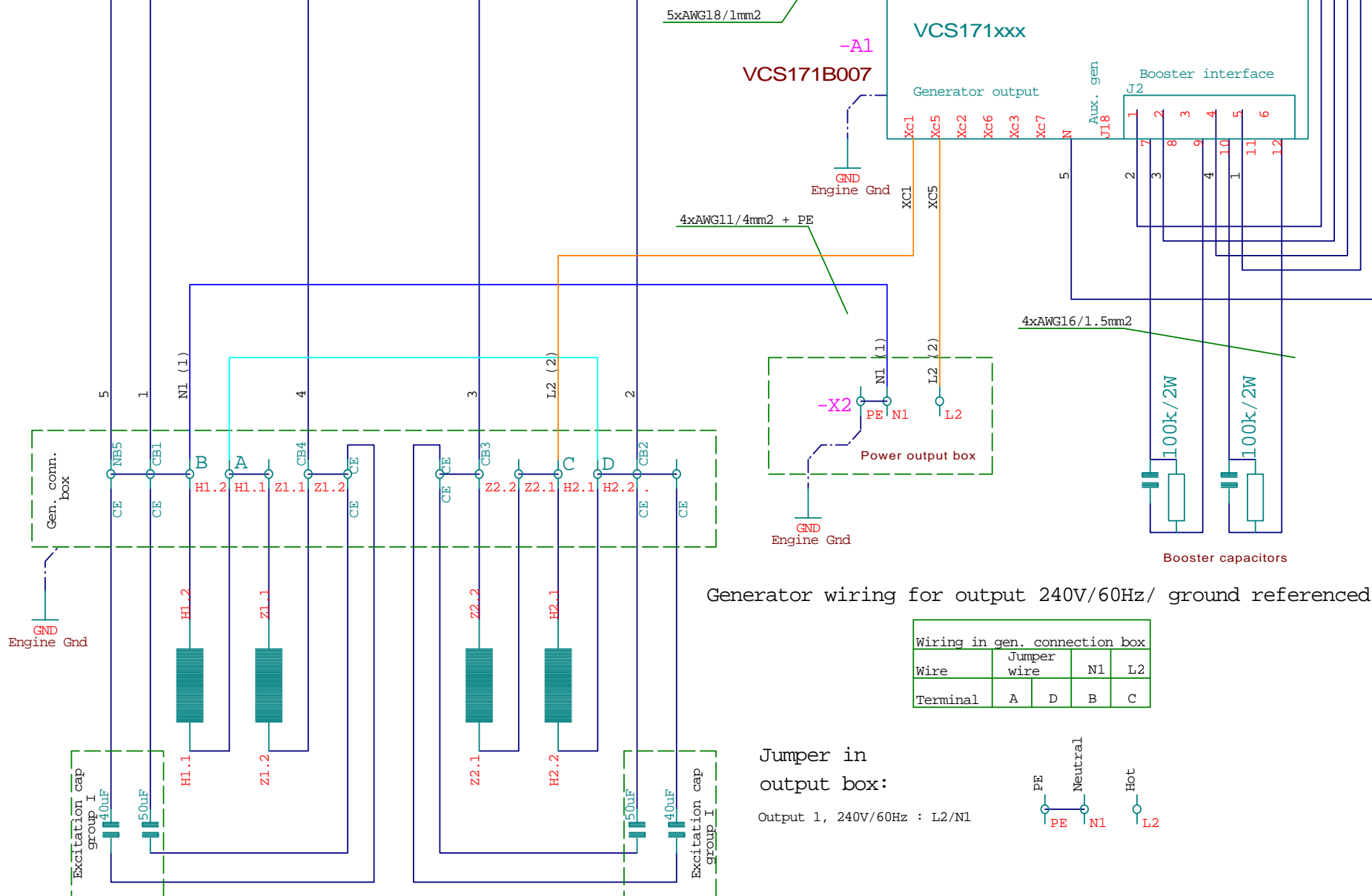
Output 230V: L/N

Gen. connection box, Power output box and VCS box tied to engine ground

Rev.	Date	Name	Std.

Date 22.10.2014
 Fischer Panda Generators
 www.fischerpanda.com



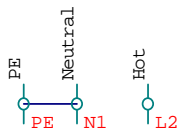


Generator wiring for output 240V/60Hz/ ground referenced

Wiring in gen. connection box				
Wire	Jumper wire	N1	L2	
Terminal	A	D	B	C

Jumper in output box:

Output 1, 240V/60Hz : L2/N1



Gen. connection box, Power output box and VCS box tied to engine ground



-A1 VCS171B007



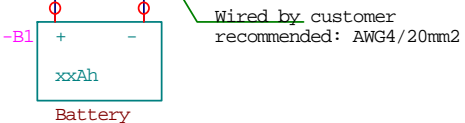
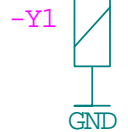
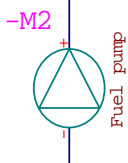
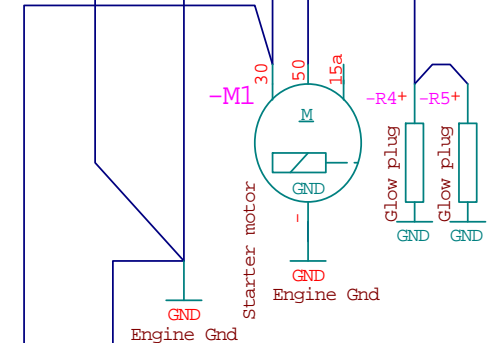
2xAWG18 /0.75mm2

D- → 8.1
 D+ → 8.1
 VCS-ON → 8.1
 GND → 8.1
 V+ → 8.1

AWG13/2.5mm2

AWG11/4mm2

GND
Engine Gnd



Unspecified wires: AWG16/1.5mm2

Date	22.10.2014
Rev.	
Date	
Name	
Std.	

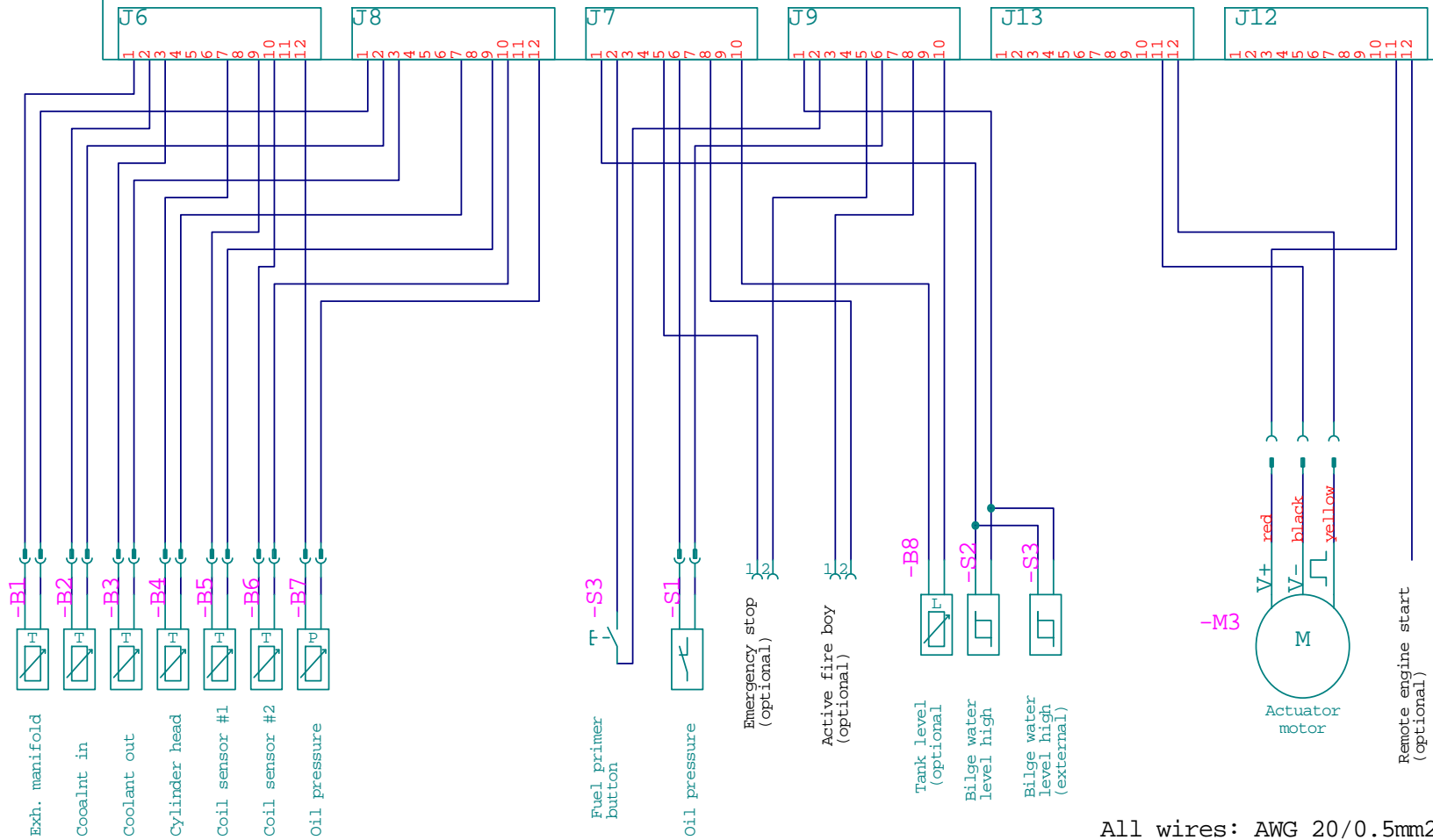
Fischer Panda Generators
www.fischerpanda.com



D0011 Rev. 015	=
	+
Page 6	
of 9 p.	

-A1 VCS171B007

VCS171xxx Auxiliary I/O



All wires: AWG 20/0.5mm2

Date 22.10.2014

Fischer Panda Generators
www.fischerpanda.com

Fischer Panda



D0011
Rev4 015

Page 7
of 9 p.

Rev. Date Name Std.

-A2

Graphic panel GP170C001

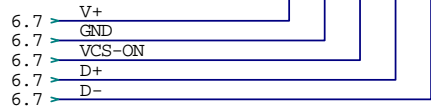
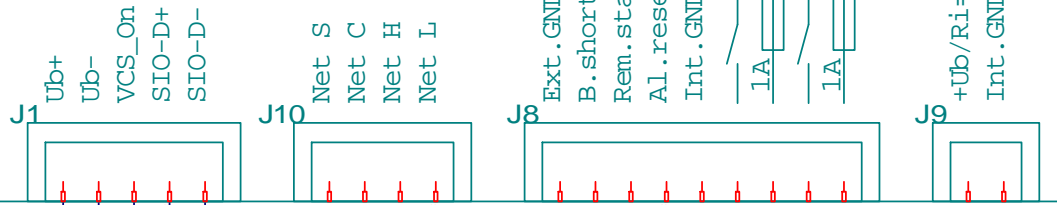
VCS
interface

NMEA 2000
interface

Digital IO

PWR

Alarm Status



Design revision history

Date	Description	Revision	Name
11/26/2012	PE wiring generator to terminal modified, cables reorganized	002	Paul Muell
12/03/2012	Battery charger removed	003	Paul Muell
12/04/2012	Wire gauges modified, signal interfacing modified	004	Paul Muell
12/05/2012	Wire gauges modified	005	Paul Muell
01/09/2013	Wiring booster capacitors changed	006	Paul Muell
03/08/2013	Wire colors (sensing leads & booster) added	007	Paul Muell
03/21/2013	Optional wiring added/modified; Main output modified	008	Paul Muell
05/20/2013	Tank and water sensor added; Gen. connection modified	009	Paul Muell
10/05/2013	Fire boy input modified to switch positive	010	Paul Muell
01/09/2014	Assigned terminal numbers for fire boy and em. stop.	011	Paul Muell
02/18/2014	Pages 1,2 and 3 show wiring for different applications Positive output for fire boy adapted to VCS171B007UC Booster wiring modified for VCS171B006AC	012	Paul Muell
02/18/2014	Wiring of gen. connection box modified to be consistent through page 2 and 3. Wiring instructions added	013	Paul Muell
02/18/2014	Added page with 230V/50Hz (1 output) configuration Terminal labeling changed	014	Paul Muell
10/22/2014	Added page with 240V/60Hz (1 output) configuration	015	Paul Muell